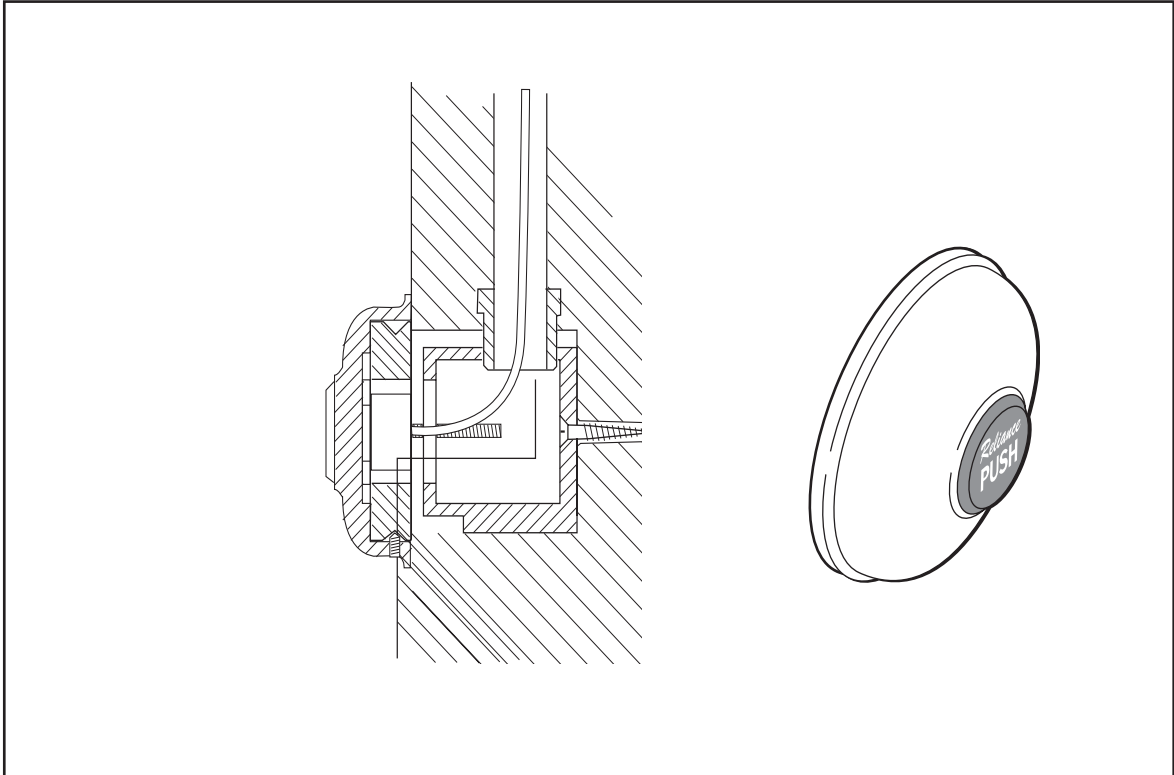


## Senselec® Solid Wall Touch Sensor



A solid wall switch module with either blue or red colour coded touch sensitive switches.

### Product Features and Benefits

- Durable and sealed switches (IP68) to prevent vandalism and increase reliability.
- Solid brass housing, chrome plated, for long life and resistance to corrosion and tampering.
- One shot electronic actuation tested to 500,000 operations to give complete installer confidence.
- Available in red and blue colour coded versions with the Reliance logo and the word "PUSH" laser etched into the base metal to ensure that users can easily identify how to operate the switch.

# Senselec® Solid Wall Touch Sensor

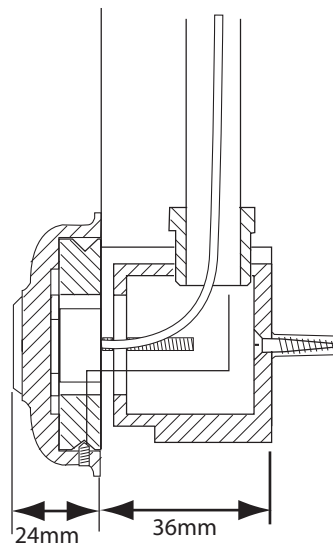
## Description

The electronic one shot switch fitted in the custom designed module sends a microsecond-long pulse to the control unit when pressure is detected on the switch. The controller then actuates a solenoid valve for a programmed period of time and water flows. After the allotted time has passed, the controller sends another signal to the solenoid valve which then closes and stops the flow of water. Any push during the run time will automatically close the valve.

## Product Range

SENS 520 005: Senselec TS solid wall touch sensor - Blue  
SENS 520 001: Senselec TS solid wall touch sensor - Red

## Dimensions



## Specifications

Activation force: 3-5N TYP  
Switch action: One shot 120 mSec TYP  
Protection system: IP 68

## How to Specify

A solid wall touch sensitive switch module, colour coded blue or red with the instruction "PUSH" laser etched into the base metal. The switch housing to be made entirely of nickel plated brass. (Include correct product range code).

## Guarantee

All Reliance products undergo strict performance tests prior to despatch, and are guaranteed against faulty materials and workmanship for one year from date of purchase. This is in addition to any statutory rights.



Reliance Water Controls®  
Worcester Road, Evesham, Worcestershire, WR11 4RA, UK  
Tel: +44 (0)1386 712400 Fax: +44 (0)1386 712401 www.rwc.co.uk

