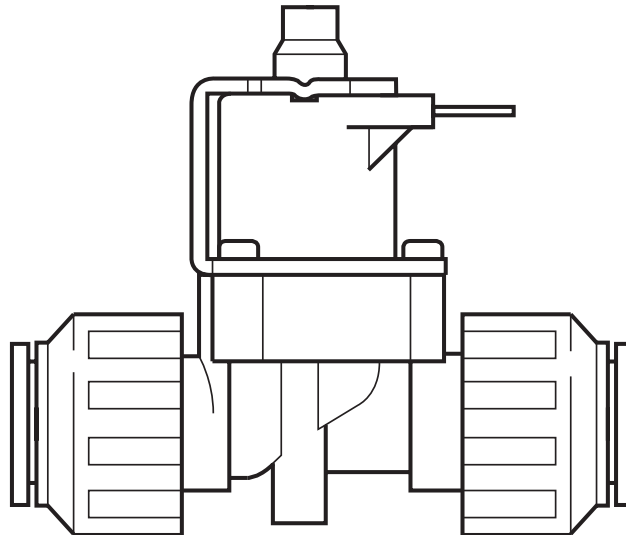




## Product Specification Sheet

### Senselec® Solenoid Valves



**WRAS**  
APPROVED  
PRODUCT

A 15mm John Guest push fit connection solenoid for use with the Senselec TS control system.

#### Product Features and Benefits

- 6 volt magnetic latching solenoid valve for **low power consumption and safety in use.**
- Endurance tested to 500,000 operations by an internationally approved test house.
- Can be supplied complete with connection cables or with faston tags only.
- 15mm John Guest push fit connections for **ease of installation and maintenance.**
- **Compact design to allow flexibility with installation.**

# Senselec® Solenoid Valves

## Description

A 15mm John Guest push fit connection solenoid for use with the Senselec TS control system to control the flow of water to basins, showers and baths. The solenoid valve is the magnetic latching type so there is no continuous power supplied to the valve when in use. Instead, a burst of electricity (typically 20ms in length) will polarise a magnet and a combination of this and the water pressure will open the valve. When it is time for the valve to close the controller sends another burst, of reverse polarity which, together with the water pressure will cause the valve to close. The valve is tested to 500,000 operations and is fully WRAS approved.

## Product Range

ZSOL 500 001: Push fit solenoid valve  
ZSOL 500 101: Push fit solenoid valve c/w cables for Senselec TS

## Materials

Body: Glass filled nylon  
Colour: Natural white  
Seal: Buna  
Armature: Stainless steel

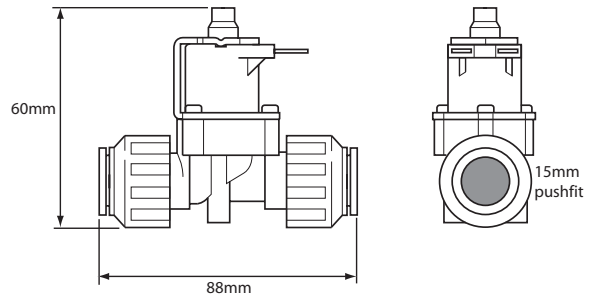
## Standards

EN 60730

## Approvals

WRAS Approved

## Dimensions



## Specifications

Minimum operating pressure:	0.5 bar
Maximum operating pressure:	5.0 bar
Maximum water temperature:	90°C
Orifice size:	11mm
Connectors:	Faston tags
Protection:	IPX0
Nominal voltage:	6V DC
Windings:	Class F
Insulation:	Class 2
Operating time to open:	20ms
Operating time to close:	20ms

## How to Specify

A 15mm WRAS approved push fit magnetic latching type solenoid valve for use with potable water. Must be 6 Volt magnetic latching type with faston tags for cable connections. (Include correct product range code).

## Guarantee

All Reliance products undergo strict performance tests prior to despatch, and are guaranteed against faulty materials and workmanship for one year from date of purchase. This is in addition to any statutory rights.

<b>Contacts:</b>	<b>Sales Enquiries</b>	<b>Technical Support</b>
Telephone:	+44 (0)1386 712400	+44 (0)1386 47148
Fax:	+44 (0)1386 47028	+44 (0)1386 422217
E-Mail:	sales@rwc.co.uk	technical@rwc.co.uk



**Reliance Water Controls®**  
Worcester Road, Evesham, Worcestershire, WR11 4RA, UK  
Tel: +44 (0)1386 47148 Fax: +44 (0)1386 47028 www.rwc.co.uk

