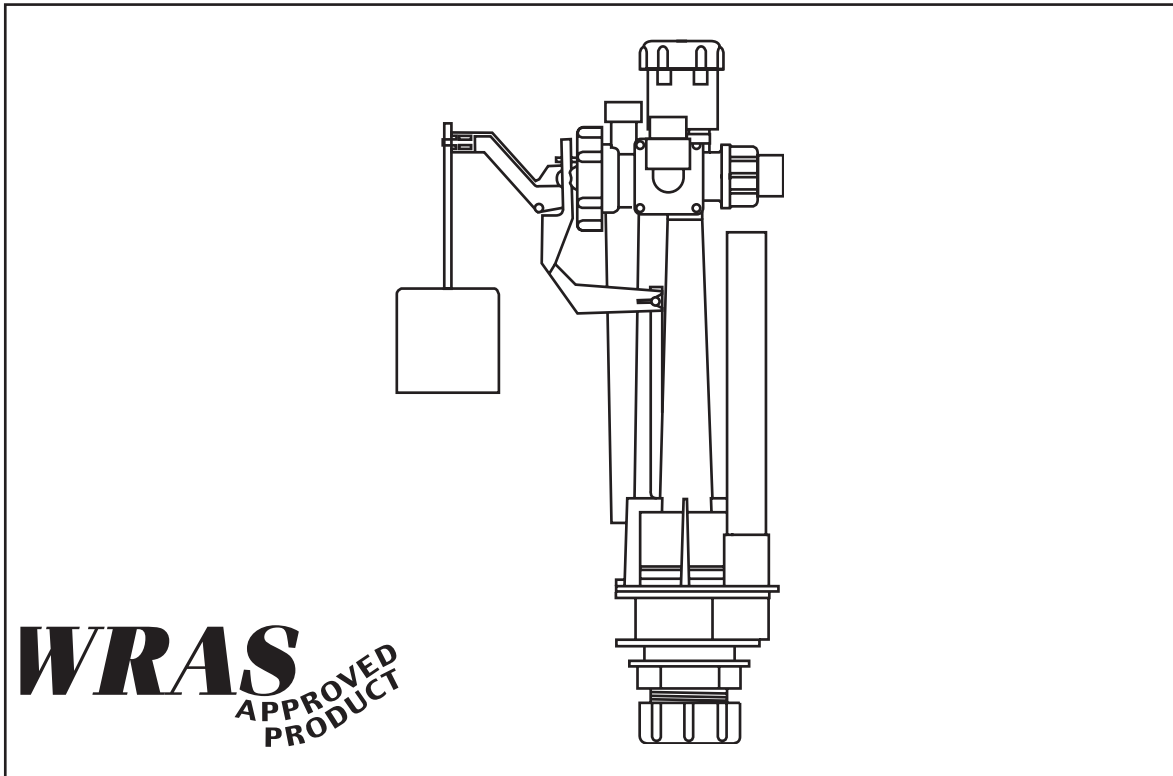




## Senselec® Flush Valves



Electronic WC flush valve for cistern mounting, incorporating float valve and overflow.

### Product Features and Benefits

- Unique flush control system ensures that water only enters the cistern when the flush valve is closed, ensuring that an exact measure of water is used each time for flushing.
- The electronic flush valve has a built in overflow giving greater flexibility in system design.
- Designed to be fitted in all types of modern plastic and china cisterns.

# Senselec® Flush Valves

## Description

A WRAS approved electronic WC flush valve for cistern mounting, designed to supply a flush of water to a WC pan using a standard cistern with an electronic type flush valve, with integral overflow.

To be used in conjunction with the Senselec TS range.

## Product Range

ZFSH 250 170:                      Electronic WC flush valve

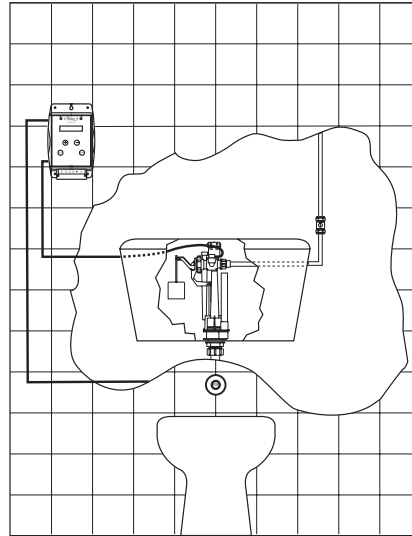
## Materials

Body:                      Delrin plastic  
Piston rod:                Stainless steel  
Diaphragm:               EPDM  
O Rings:                  Nitrile

## Approvals

WRAS Approval No: 0205040

## Typical Installation



## Specifications

Pressure range:                      0.5 to 5.0 bar

## How to Specify

A WRAS approved electronic flush valve for cistern fitting with an integral overflow and float valve. (Include correct product range code).

## Guarantee

All Reliance products undergo strict performance tests prior to despatch, and are guaranteed against faulty materials and workmanship for one year from date of purchase. This is in addition to any statutory rights.



Reliance Water Controls®  
Worcester Road, Evesham, Worcestershire, WR11 4RA, UK  
Tel: +44 (0)1386 712400 Fax: +44 (0)1386 712401 www.rwc.co.uk

