

## I02 Series

### Features and Benefits

- Diaphragm design gives improved resistance against scale
- Rapid removal of single piece cartridge for cleaning or replacement
- Multiple connections for flexible installation
- Set relief pressure range from 3.5-8bar



### Description

The I02 series potable pressure relief valves are designed to protect an unvented system from over pressurisation. The valves are pre-set and locked to a particular pressure, so if the system exceeds this pressure the valve will lift off the seat and water will discharge from the valve, to waste. This is the first safety device in line within an unvented system. These valves are available in many different pressures ranging from 3.5-8bar and in multiple connection sizes to allow for a flexible installation.

# POTABLE PRESSURE RELIEF VALVES

## Specification Sheet



The Safety Valve Specialist

### Specifications

Body test pressure	20bar
Maximum temperature	140°C
Pre-set pressure range	3.5-8bar

### Approvals

WRAS No. 0909309

### Standards

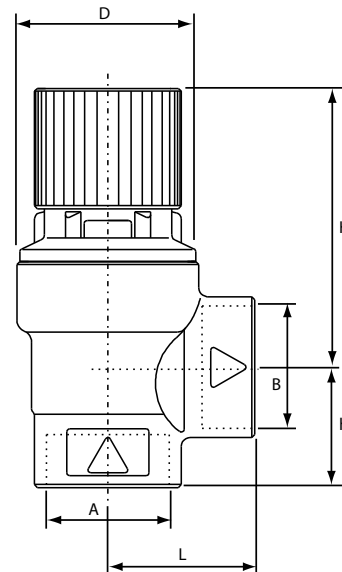
BS EN 1491

### Product Codes

#### Potable Pressure Relief Valves

Code	Connection size	Pre-set pressure setting
PREL 102 014	1/2" FF	3.5bar
PREL 102 008	1/2" FF	5bar
PREL 102 001	1/2" FF	6bar
PREL 102 004	1/2" FF	8bar
PREL 102 040	1/2" MF	3.5bar
PREL 102 041	1/2" MF	5bar
PREL 102 042	1/2" MF	6bar
PREL 102 043	1/2" MF	8bar
PREL 102 009	1/2" M x 15mm	3.5bar
PREL 102 003	1/2" M x 15mm	5bar
PREL 102 005	1/2" M x 15mm	6bar
PREL 102 044	1/2" M x 15mm	8bar
PREL 102 045	3/4" FF	3.5bar
PREL 102 046	3/4" FF	5bar
PREL 102 031	3/4" FF	6bar
PREL 102 047	3/4" FF	8bar
PREL 102 048	3/4" MF	3.5bar
PREL 102 118	3/4" MF	5bar
PREL 102 018	3/4" MF	6bar
PREL 102 024	3/4" MF	8bar
PREL 102 020	3/4" M x 22mm	3.5bar
PREL 102 049	3/4" M x 22mm	5bar
PREL 102 027	3/4" M x 22mm	6bar
PREL 102 050	3/4" M x 22mm	8bar

### Dimensions



Model	A	B	L	D	H	h
1/2" FF	1/2" FBSP	1/2" FBSP	25	31	46	21
1/2" MF	1/2" MBSP	1/2" MBSP	25	31	46	30
1/2" M x 15mm	1/2" MBSP	15mm	25	31	46	30
3/4" FF	3/4" FBSP	3/4" FBSP	30	31	48	27
3/4" MF	3/4" MBSP	3/4" MBSP	30	31	48	36
3/4" M x 22mm	3/4" MBSP	22mm	37	31	48	36

All dimensions shown in mm unless otherwise stated

### Materials

Body	DZR brass
Diaphragm	EPDM
Seal	EPDM
Spring	Stainless Steel
Cap	High grade glass fibre reinforced plastic

## Reliance Water Controls Ltd

A Reliance Worldwide Company

Worcester Road, Evesham, Worcestershire, WR11 4RA, UK. UK – Freephone: 0800 389 5931

Freefax: 0800 389 5932 Outside UK – Tel: +44 (0)1386 712400 Fax: +44 (0)1386 712401 Email: sales@rwc.co.uk

[www.rwc.co.uk](http://www.rwc.co.uk)