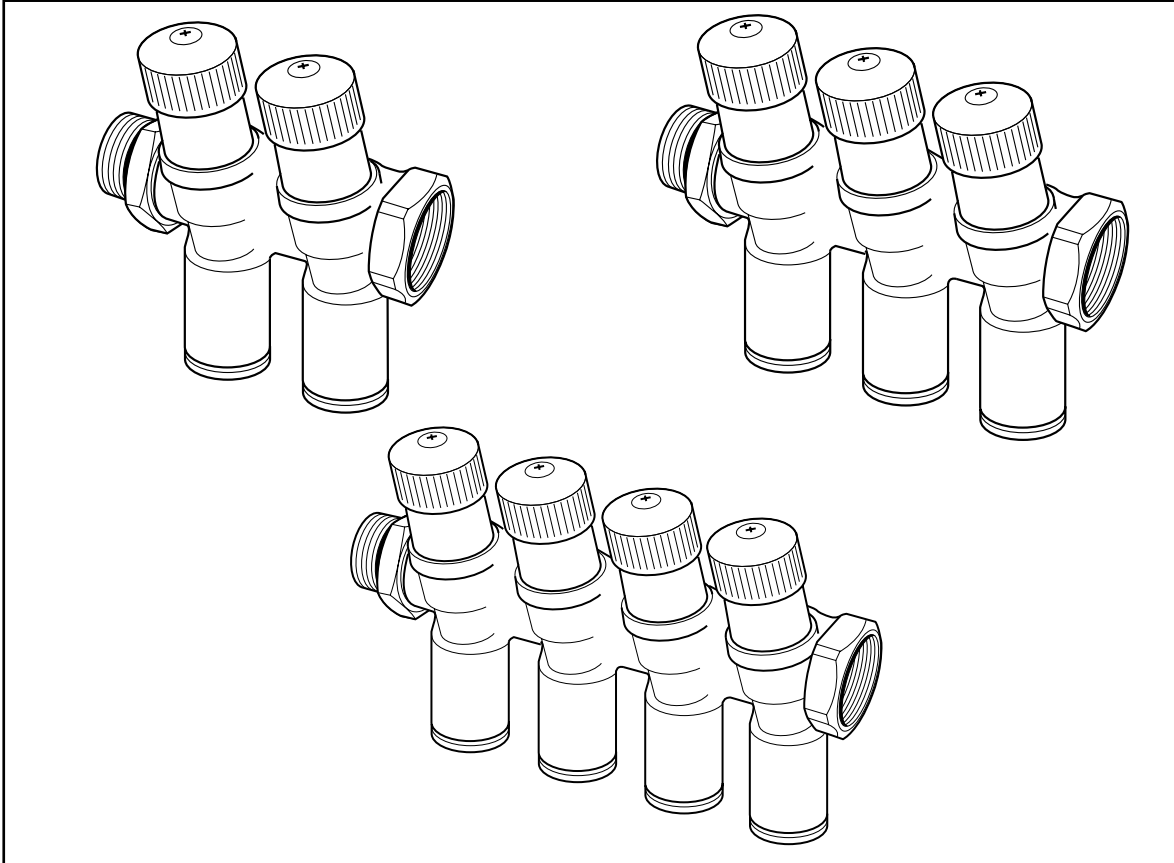




## Product Specification Sheet

### Plumbing Manifolds



Compact, potable water distribution manifolds, for use in domestic and commercial properties to evenly distribute flow throughout an installation.

#### Product Features and Benefits

- Comes with 15mm John Guest push fit connectors to make installation easy and to make maintenance or removal a quick and simple job.
- Each outlet has its **own separate isolating valve** for full system control and ease of maintenance
- Compact **space saving design** to make the **design of the system and installation as easy as possible**
- Comes with Red and Blue indicator knobs to denote hot and cold
- The **manifolds can be joined together** to make any length and to **serve as many outlets as necessary**
- Uses a patented backnut and o-ring connection to join the manifolds together; this ensures that the outlets can always be made to face the same way
- Using manifolds ensures a stable flow to all outlets without the need for complicated pipe sizing calculations

# Plumbing Manifolds

## Description

A range of distribution manifolds for hot and cold potable water. The manifolds are available in either 2,3, or 4 outlet models and are colour coded for easy reference. The manifolds come complete with 15mm John Guest push fit fittings on the outlets and 3/4" M x F inlets and outlets. Each outlet is served by its own isolating valve so that individual parts of the installation served by the manifold can be isolated for service or replacement. The manifolds can be connected together if required to make a theoretically endless distribution manifold provided there is enough water pressure. They are joined by means of a patented nut and o-ring design which allows the installer to tighten the 2 manifolds together and align them before making the final seal with the backnut and o-ring. These manifolds are perfectly adapted to installations such as bathrooms in blocks of flats or houses or multi outlet installations such as basins, toilets or showers in commercial applications

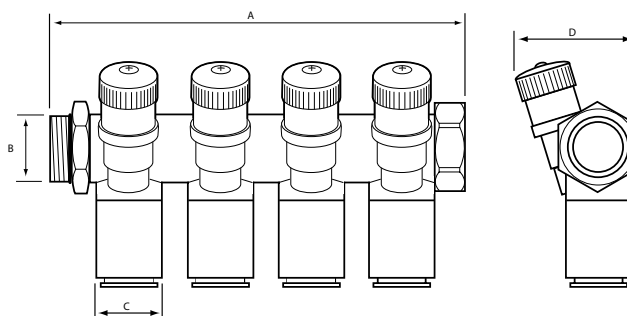
## Product Range

MANA 500 001:	2 Port plumbing manifold DZR red knobs
MANA 500 002:	3 Port plumbing manifold DZR red knobs
MANA 500 003:	4 Port plumbing manifold DZR red knobs
MANA 500 011:	2 Port plumbing manifold DZR blue knobs
MANA 500 012:	3 Port plumbing manifold DZR blue knobs
MANA 500 013:	4 Port plumbing manifold DZR blue knobs

## Materials

Body- DZR Brass  
Seals - NB

## Dimensions



Product Range	Connections	A	B	C	D
MANA 500 001	2 Port Red	125	26	26	52
MANA 500 002	3 Port Red	160	26	26	52
MANA 500 003	4 Port Red	250	26	26	52
MANA 500 011	2 Port Blue	125	26	26	52
MANA 500 012	3 Port Blue	160	26	26	52
MANA 500 013	4 Port Blue	240	26	26	52

All dimensions in mm unless otherwise stated

## Specifications

Maximum working pressure	10 bar
Maximum static pressure	16 bar
Minimum temperature	2°C
Maximum temperature	95°C

## How to Specify

Compact potable water distribution manifolds complete with John Guest push fit fittings on the outlets, must have the capability to join the manifolds together, manufactured from DZR brass, and have colour coded isolating valves for each circuit as integral to the unit.

## Guarantee

All Reliance® products undergo strict performance tests prior to despatch, and are guaranteed against faulty materials and workmanship for one year from date of purchase. This is in addition to any statutory rights.



**Reliance Water Controls®**  
Worcester Road, Evesham, Worcestershire, WR11 4RA, UK  
Tel: +44 (0)1386 712400 Fax: +44 (0)1386 712401 www.rwc.co.uk

