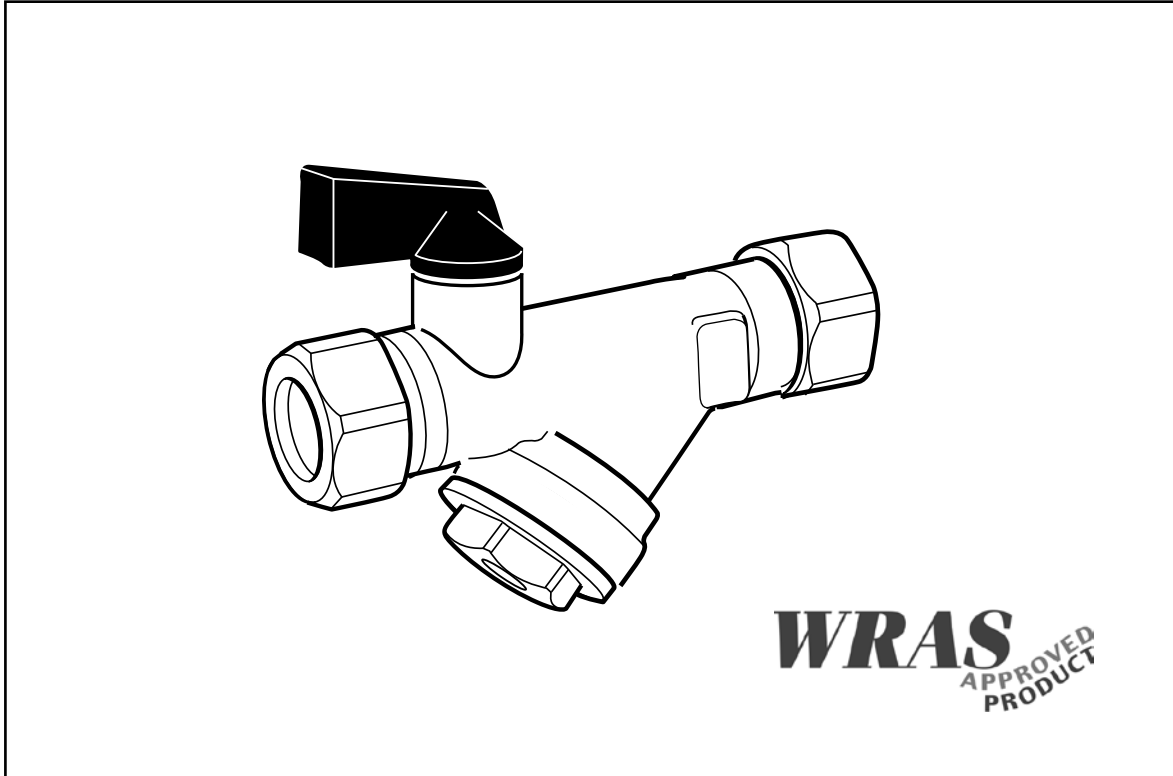




Product Specification Sheet

Floreg Isolating Ball Valve



A combination valve incorporating an isolator, large bore strainer and inline serviceable flow regulator.

Product Features and Benefits

- **Serviceable without the need to remove the valve from the installation.**
- **Saves water and energy** as well as providing **isolation** for servicing.
- Provides **even distribution** when supplying multiple outlets.
- **Precise flow control** enables designers to **size systems accurately.**
- **15mm compression connections for ease of installation.**
- Can be used for retrofit or new build installations.
- Available with flow regulators from **4LPM to 15LPM** .
- The regulators are **interchangeable** so that **alterations in flow rate to suit customer requirements are quick and easy.**

✓ WRAS Approved.

Floreg Isolating Ball Valve

Description

A 15mm combination filtration, isolating and flow regulating device for use on individual outlets to maintain the flow rate at a desired level. The valve incorporates a flow regulator fitted downstream of the isolator and filter, for ease of service, which is available with various amounts of flow regulation between 4 and 15LPM. Supplied nickel plated as standard with a plastic identity cap showing the amount of flow regulation.

Product Range

SERV 970 000:	15mm Floreg isolating valve/strainers - 4LPM
SERV 970 001:	15mm Floreg isolating valve/strainers - 6LPM
SERV 970 002:	15mm Floreg isolating valve/strainers - 8LPM
SERV 970 003:	15mm Floreg isolating valve/strainers - 10LPM
SERV 970 004:	15mm Floreg isolating valve/strainers - 12LPM
SERV 970 005:	15mm Floreg isolating valve/strainers - 15LPM

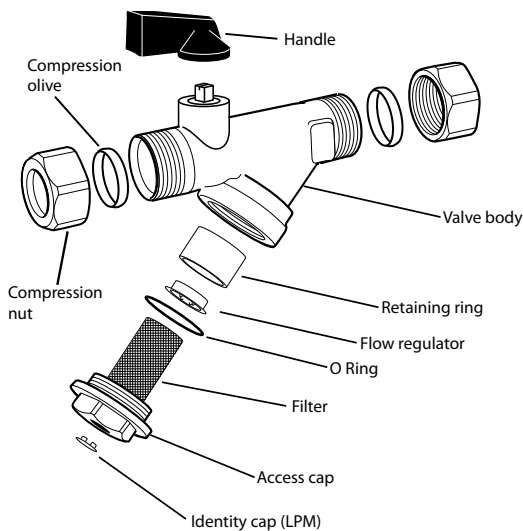
Materials

Body:	Cast DZR brass
Cap:	DZR brass
Strainer:	Stainless steel
Ball:	Chrome plated brass
Seat:	PTFE

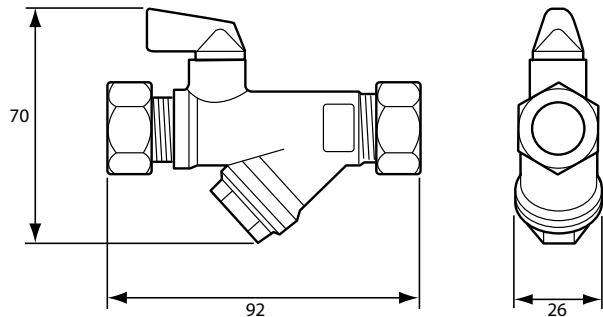
Approvals

WRAS Approval number: 1003328

Exploded Drawing



Dimensions



All dimensions in mm unless stated

Specifications

Maximum pressure:	16.0 bar
Max. hot water temperature:	95°C
Connections:	15mm compression

How to Specify

A 15mm nickel plated combination device incorporating a flow regulator fitted downstream of the isolator and filter, to maintain the flow rates of individual outlets at a desired level. Available with flow regulators between 4 and 15LPM. (Include correct product range code).



Reliance Water Controls®

Worcester Road, Evesham, Worcestershire, WR11 4RA, UK
Tel: +44 (0)1386 712400 Fax: +44 (0)1386 712401 www.rwc.co.uk

