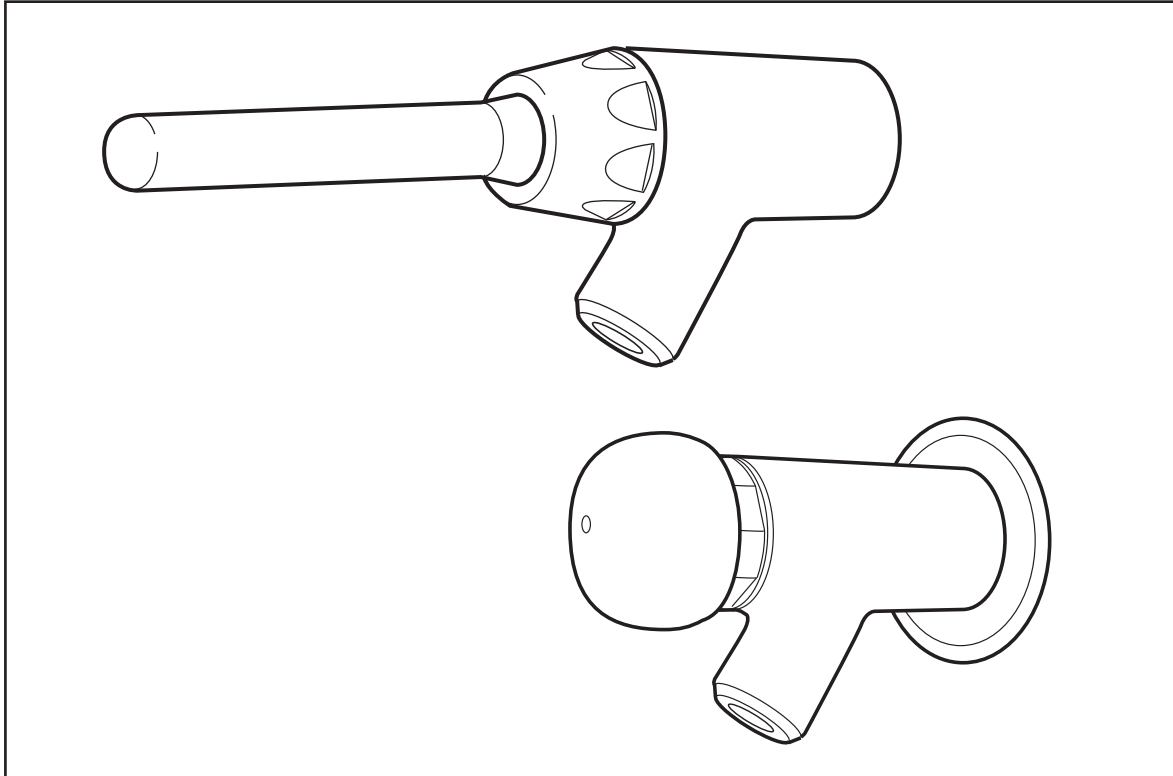




Product Specification Sheet

Auteau Bib Taps



A high quality, chrome plated, timed flow bib tap with adjustable flow regulator, for industrial, commercial and leisure applications.

Product Features and Benefits

- Incorporates the patented self cleaning Auteau cartridge.
- Removable cartridge for easy maintenance or replacement.
- Solid brass body and button/lever for long life
- Comes with an adjustable flow regulator for customised flow control.
- Standard 1/2" MBSP connection.
- Conforms to BS EN 816.
- Saves up to 60% of water usage when compared to conventional taps.
- Saves energy as well as water when fitted on hot water systems.
- 15 sec timed flow rate.
- Supplied with flow straightener, to prevent water splash.

✓ WRAS approved.

Auteau Bib Taps

Description

The Auteau range of bib taps are solid brass construction, chrome plated to a high standard, the push button and lever are also made from solid brass and come with separate blue and red inserts to denote hot and cold, the internal timeflow mechanism incorporates the unique self cleaning cartridge which is designed to provide a flow of water for 15 sec as per BS EN 816, a strainer is also incorporated into the cartridge to protect against system or mains debris entering and damaging the internal working components of the cartridge. For complete control the bib taps are fitted with an adjustable flow regulator so that the desired flow can be set on site.

The Auteau range of bib taps are suitable for use in industrial, commercial, and leisure applications and can be used in conjunction with Reliance's range of thermostatic mixing valves, such as the Heatguard TMV 3 (HEAT 160 series) or the Caremix (HEAT 100 series) for single outlet applications or the Planar 430 (HEAT 430 series) and 530 (HEAT 530 series) for use in multiple outlet applications.

Product Range

PUSH 100 001: 1/2" Push button timed flow bib tap
 PUSH 100 005: 1/2" Lever operated timed flow bib tap
 SKIT 100 001: Spare time flow cartridge

Materials

Body: Standard brass
 Push button: Standard brass
 Cartridge: Polyacetal
 Seals: Nitrile

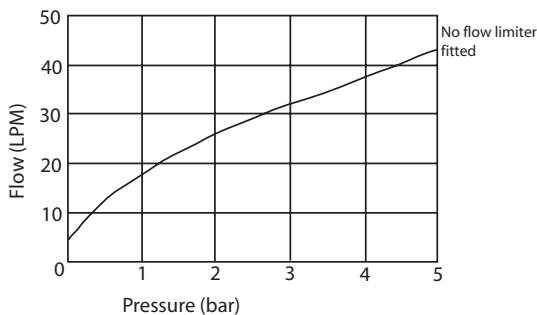
Standards

Conforms to BS EN 816

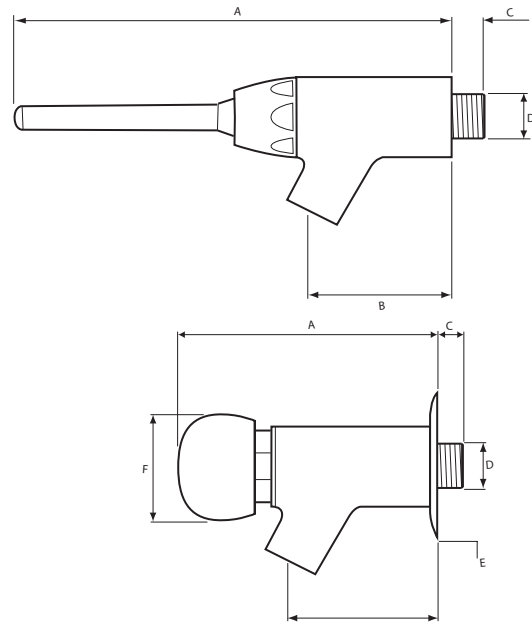
Approvals

WRAS approval number 0306059

Flow Rate



Dimensions



	A	B	C	D	E	F
Lever version	170	52	12	M 1/2"	N/A	N/A
Push button version	93	52	10	M 1/2"	Ø 55	Ø 40

All dimensions in mm unless stated

Specifications

Maximum working pressure: 6 bar
 Minimum working pressure: 0.2 bar
 Maximum static pressure: 10 bar
 Timed flow rate: 15 sec (± 5 sec.)
 Maximum temperature: 90°C
 Minimum temperature: 5°C
 Connection: 1/2" MBSP

How to Specify

A WRAS approved 1/2" timed flow bib tap, conforming to BS EN 816. The tap shall be constructed from solid brass and incorporate a self cleaning cartridge and adjustable flow regulator (include correct product range code).

Guarantee

All Reliance products undergo strict performance tests prior to despatch, and are guaranteed against faulty materials and workmanship for one year from the date of purchase. This is in addition to any statutory rights.



Reliance Water Controls
 Worcester Road, Evesham, Worcestershire, WR11 4RA, UK
 Tel: +44 (0)1386 712400 Fax: +44 (0)1386 712401 www.rwc.co.uk

