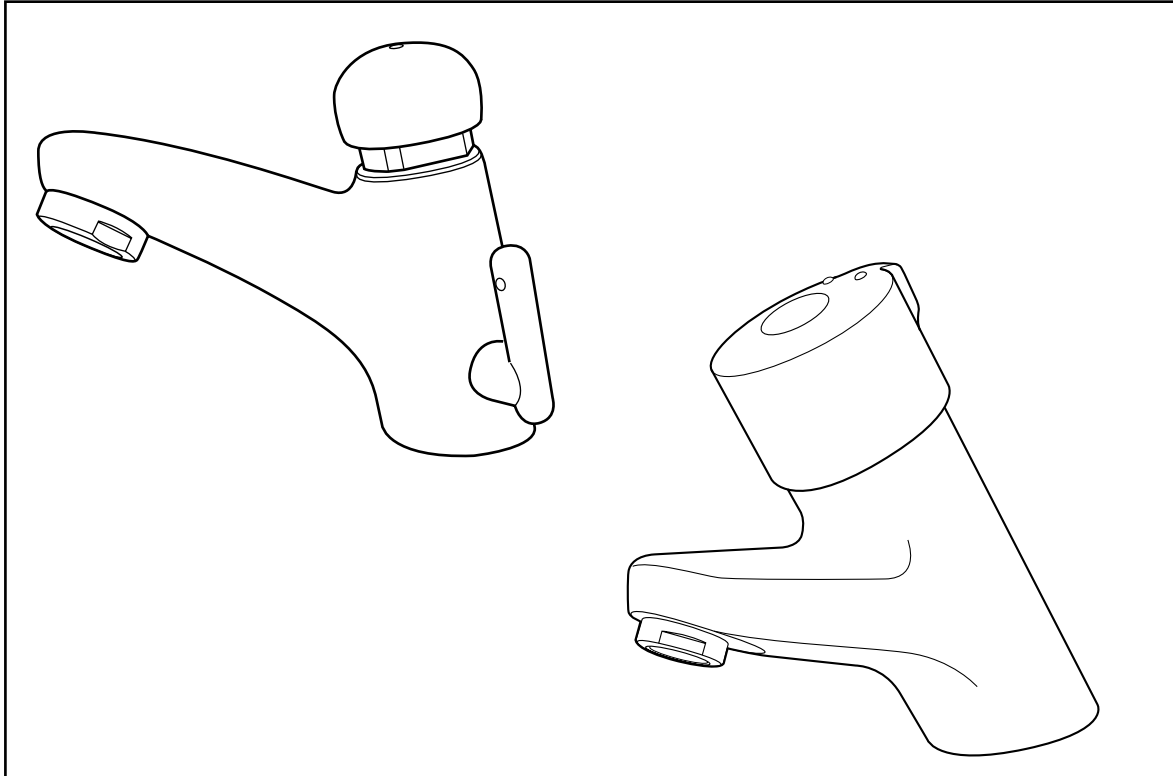




Product Specification Sheet

Auteau® Basin Mixer Taps



Self closing basin mixer taps with either a smooth action push button or lever actuator.

Product Features and Benefits

- **Extremely vandal resistant for intensive use in public places. Body is chrome-plated solid brass and has reinforced fixing by 2 lock nuts.**
- 20 second automatic shut off and automated flow rate means **a water saving of about 70%.**
- **Flow rate adjustable from front, ensuring installation is quick and simple.**
- Adjustable maximum temperature.
- Self cleaning interchangeable cartridge, accessible from front for ease of maintenance.
- Stainless steel connectors, supplied with non return valve, filter and isolator.

Auteau® Basin Mixer Taps

Description

High quality, self closing Auteau® basin mixer taps with either a smooth action push button or lever actuator, which allows easy operation by the elderly, infirm or disabled.

Chrome plated, solid brass body and button or lever for longer life. The self-cleaning cartridge has a 20 second timed flow rate, as per BSEN 816 which saves up to 70% of water usage when compared to conventional taps.

Product Range

MIXT 100 050: Auteau® timeflow basin mixer tap
- rotating handle

MIXT 100 001: Auteau® timeflow basin mixer tap
- lever type

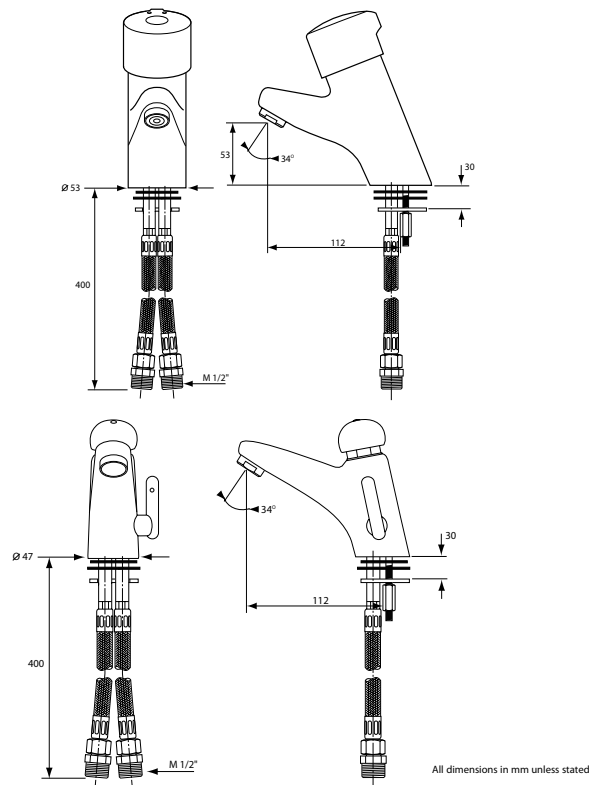
Materials

Body:	Standard brass
Push button/lever:	Standard brass
Seals:	Nitrile
Cartridge:	Polyacetal
Connectors:	Stainless steel flexible hoses

Specifications

Minimum working pressure:	0.2 bar
Maximum working pressure:	6.0 bar
Maximum static pressure:	10.0 bar
Timed flow rate:	20 seconds
Flow Regulation:	Adjustable (preset 8LPM)
Maximum temperature:	90°C
Connections:	Flexible hoses

Dimensions



How to Specify

Either push button or lever actuation timed flow basin mixer taps incorporating a self cleaning cartridge and adjustable flow regulator (include correct product range code).

Guarantee

All Reliance® products undergo strict performance tests prior to despatch, and are guaranteed against faulty materials and workmanship for one year from date of purchase. This is in addition to any statutory rights.



Reliance Water Controls®
Worcester Road, Evesham, Worcestershire, WR11 4RA, UK
Tel: +44 (0)1386 712400 Fax: +44 (0)1386 712401 www.rwc.co.uk

